

The Arc

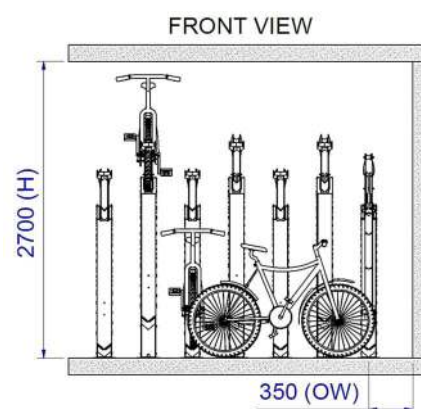
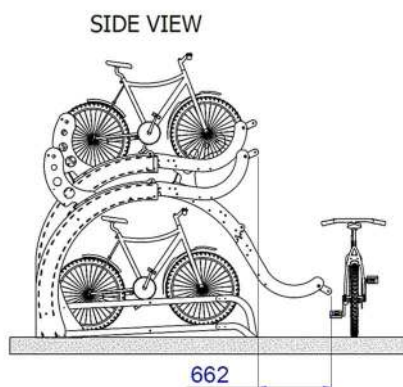
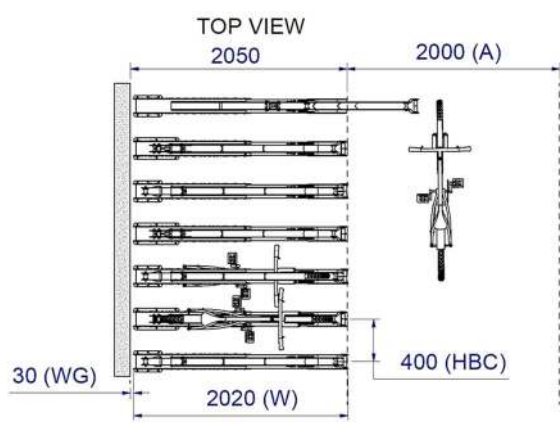
velo
PUSHBIKE PARKING SOLUTIONS



Spec Sheet

P: 1300 596 636
E: Sales@velopushbikeparkingsolutions.com
W: velopushbikeparkingsolutions.com
ABN: 72672981396

The Arc -Single Sided - Staggered



Description:

The Arcs strikingly unique design creates a statement for any space. The innovative mechanism and ergonomic design allow users to have a seamless experience. The Arc is the pinnacle of 2 Tier bicycle parking worldwide.

Specifications:

Ceiling Height required (H):	minimum 2700mm
Total Rack Width (W):	approx. 2020mm
Off-wall Dimension (OW)	minimum. 350mm
Aisle Space (A):	minimum. 2000mm (AS2890.3)
Wall Gap (WG):	minimum. 30mm
Horizontal bike center (HBC):	400mm* (Factory Standard) (fits approx. 5.0 bikes/m)

***500mm** fits approx. **4.1 bikes/m**) and other dimensions upon request

Weight:	46kg (small) 53kg (tall)
---------	-----------------------------

Material:

Steel towers and Aluminum carriages

Finishes:

Mill finish Aluminium and powder coated towers (dark grey)
Powder coated Handle, Lock and Wheel catcher
Choose from our standard colors, custom colors available at additional charge (see our color chart for options)

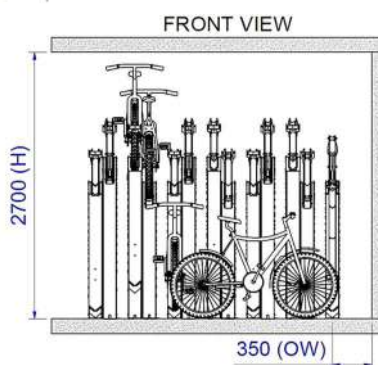
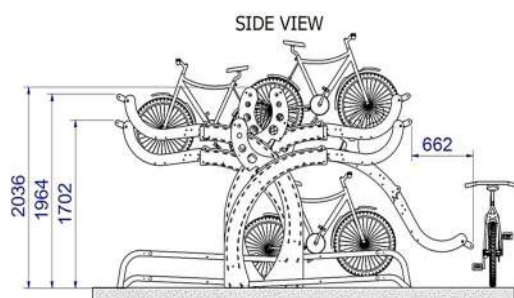
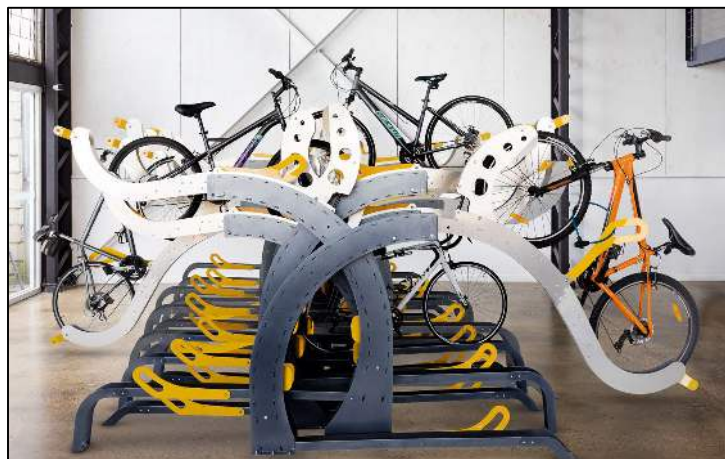
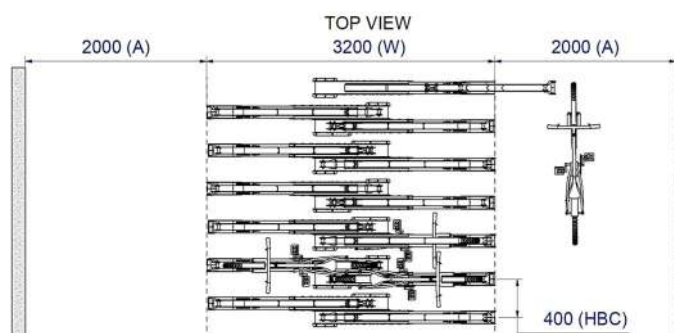
Applications:

High density parking suitable for e.g. Bicycle storage rooms, Recreation centres, Schools, Universities, Colleges, Shopping centres, End of Trip (EOT) Facilities etc.

Compliant with:
AS2890.3

P: 1300 596 636
E: Sales@velopushbikeparkingsolutions.com
W: velopushbikeparkingsolutions.com
ABN: 72672981396

The Arc -Double Sided - Staggered



Description:

Maximize your space with a back-to-back arrangement.

Specifications:

Ceiling Height required (H):	minimum 2700mm
Total Rack Width (W):	approx. 3200mm
Off-wall Dimension (OW)	minimum. 350mm
Aisle Space (A):	minimum. 2000mm (AS2890.3)
Horizontal bike center (HBC):	400mm* (Factory Standard) (fits approx. 9.9 bikes/m)

*500mm (fits approx. **8.0 bikes/m**) and other dimensions upon request

Material:

Steel towers and Aluminum carriages

Finishes:

Mill finish Aluminium and powder coated towers (dark grey)

Powder coated Handle, Lock and Wheel catcher

Choose from our standard colors, custom colors available at additional charge (see our color chart for options)

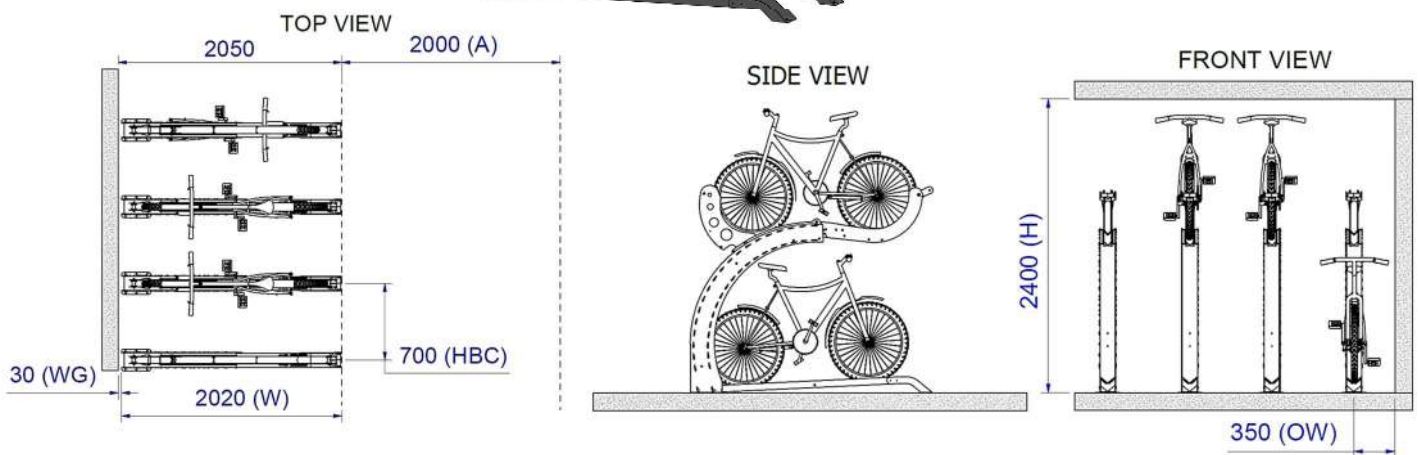
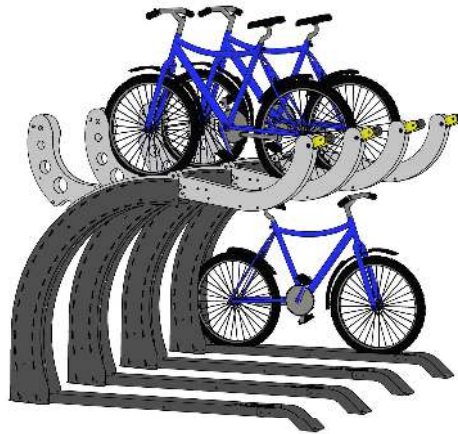
Applications:

High density parking suitable for e.g. Bicycle storage rooms, Recreation centres, Schools, Universities, Colleges Shopping centres, End of Trip (EOT) Facilities etc.

Compliant with:
AS2890.3

P: 1300 596 636
E: Sales@velopushbikeparkingsolutions.com
W: velopushbikeparkingsolutions.com
ABN: 72672981396

The Arc Single Sided - Non-Staggered



Description:

When Ceiling Height is compromised The Arc can be assembled as a non-staggered version to still fit as many bikes as possible without compromising practicality.

Specifications:

Ceiling Height required (H):	minimum 2400mm
Total Rack Width (W):	approx. 2020mm
Off-wall Dimension (OW):	minimum 350mm
Aisle Space (A):	minimum. 2000mm (AS2890.3)
Wall Gap (WG):	minimum 30mm
Horizontal bike centers (HBC):	700mm* (AS2890.3, fits approx. 2.8 bikes/m)

***600mm** (minimum practical, fits approx. **3.4 bikes/m**) and other dimensions upon request

Material:

Steel towers and Aluminum carriages

Finishes:

Mill finish Aluminium and powder coated towers (dark grey)

Powder coated Handle, Lock and Wheel catcher

Choose from our standard colors, custom colors available at additional charge (see our color chart for options)

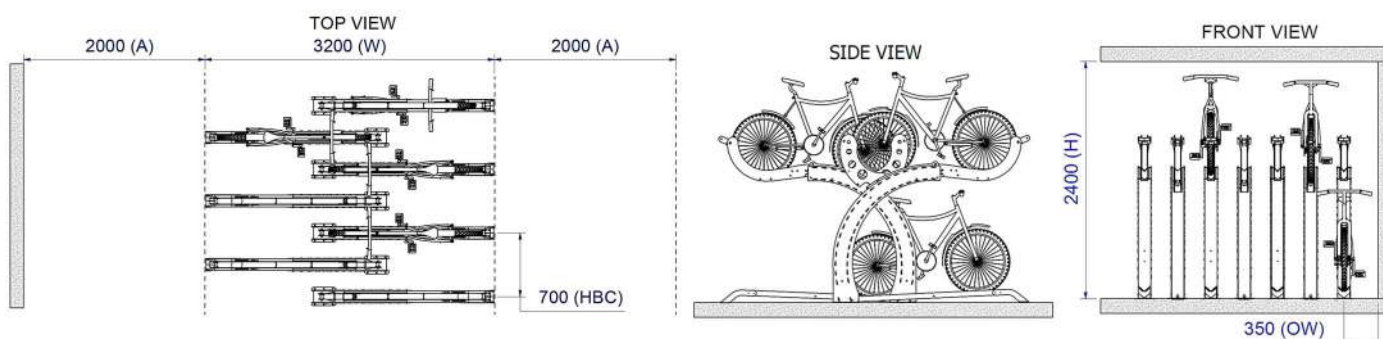
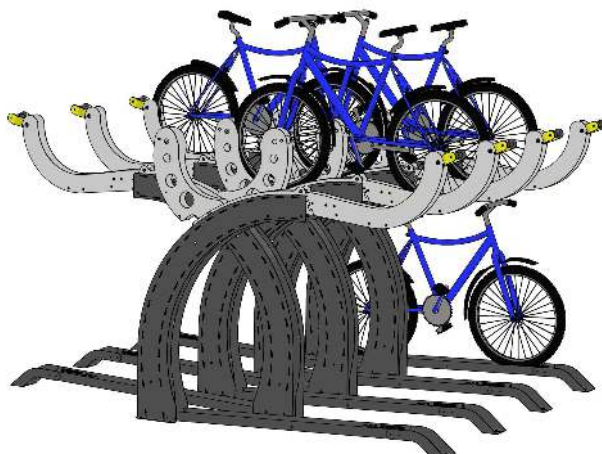
Applications:

High density parking suitable for e.g. Bicycle storage rooms, Recreation centres, Schools, Universities, Colleges
 Shopping centres, End of Trip (EOT) Facilities etc.

Compliant with:
AS2890.3

P: 1300 596 636
E: Sales@velopushbikeparkingsolutions.com
W: velopushbikeparkingsolutions.com
ABN: 72672981396

The Arc Double Sided - Non-Staggered



Description:

When Ceiling Height is compromised The Arc can be assembled as a non-staggered version to still fit as many bikes as possible without compromising practicality.

Specifications:

Ceiling Height required (H):	minimum 2400mm
Total Rack Width (W):	approx. 3200mm
Off-wall Dimension (OW)	minimum. 350mm
Aisle Space (A):	minimum. 2000mm (AS2890.3)
Horizontal bike centers (HBC):	700mm* (AS2890.3, fits approx. 5.6 bikes/m)

*600mm (minimum practical, fits approx. **6.8 bikes/m**) and other dimensions upon request

Material:

Steel towers and Aluminum carriages

Finishes:

Mill finish Aluminium and powder coated towers (dark grey)

Powder coated Handle, Lock and Wheel catcher

Choose from our standard colors, custom colors available at additional charge (see our color chart for options)

Applications:

High density parking suitable for e.g. Bicycle storage rooms, Recreation centres, Schools, Universities, Colleges Shopping centres, End of Trip (EOT) Facilities etc.

Compliant with:
AS2890.3

P: 1300 596 636
E: Sales@velopushbikeparkingsolutions.com
W: velopushbikeparkingsolutions.com
ABN: 72672981396

Additional Information



Fixing/Anchor:

M10x50 Galvanized Sleeve Anchor (Dynabolt)

Foundation material and requirements:

Concrete: min. thickness 100mm and without signs of damage

Warranty:

Velo-PBPS gives a 5-year warranty on this product, effective from the handover date.

We warrant that the equipment (and material) complies with the relevant standards at the date of install.

This warranty is limited and may be excluded in part or in full in case of user damage, misuse, or faulty installation.

Frequent visual inspections for signs of damage or need for cleaning are recommended.

Report damaged products.

Disclaimer:

Images may differ from actual product and specifications may change without prior notice. Velo-PBPS is not liable for the structural integrity of the foundation material and quality and any queries shall be raised with the authorized installer.

Calculation of bikes/m (bikes per meter):

This calculation shall be used as guide only. Only gives a rough indication. For accurate numbers or how to maximize your space speak to our team.

Maintenance:

Used components do not require maintenance.

If any parts appear to be malfunctioning report immediately.

Cleaning:

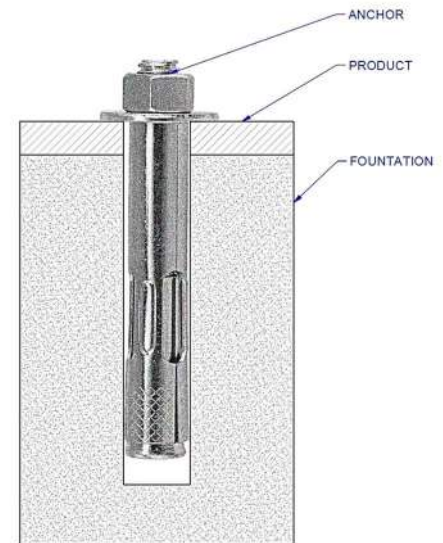
Ensure adequate cleaning is carried out during and after installation, such as removal of construction materials like concrete, plaster, and paint splashes.

Immediate removal prevents use of aggressive cleaning in the future, that may harm the products.

Regular cleaning shall be carried out with powder coating and Aluminum suitable and approved solutions.

WARNING:

Use of unsuitable and aggressive solvents may harm the surface and corrosion protection and therefore the appearance of the product.



P: 1300 596 636
E: Sales@velopushbikeparkingsolutions.com
W: velopushbikeparkingsolutions.com
ABN: 72672981396

Say **velo** for a new Standard
in Bicycle Parking!



Velo Pushbike Parking Solutions Pty Ltd
proudly designs, manufactures, and
operates from Brisbane, Australia.

P: 1300 596 636
E: Sales@velopushbikeparkingsolutions.com
W: velopushbikeparkingsolutions.com
ABN: 72672981396